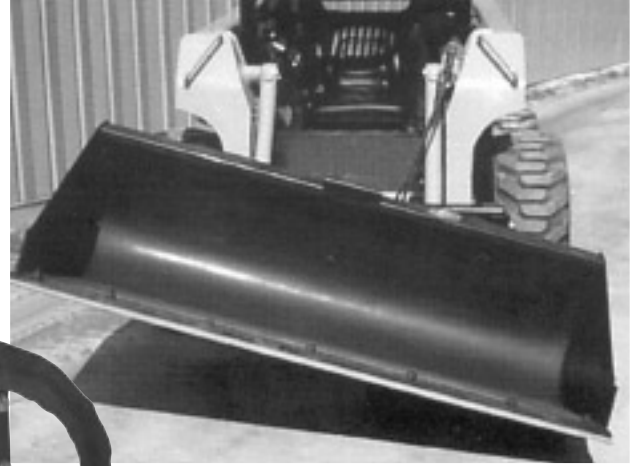
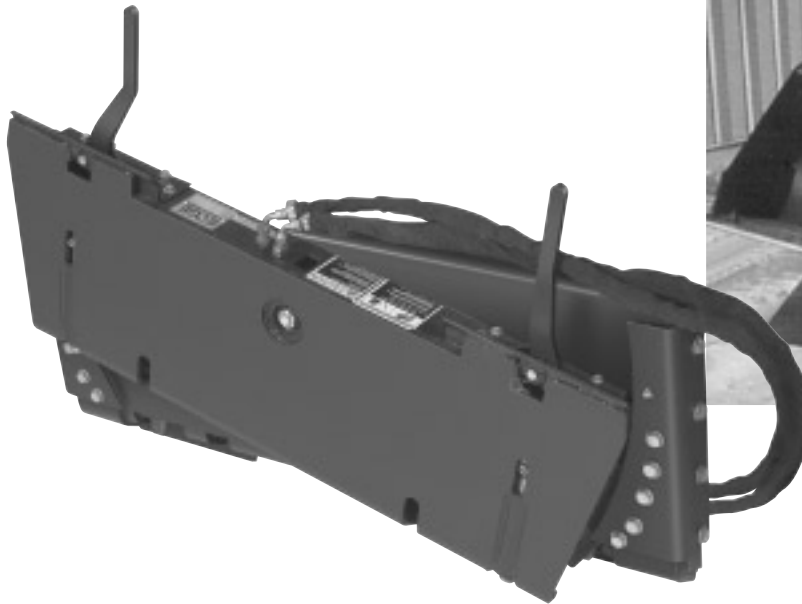


Tilt Attach



 **Universal mount for use with various attachments**

 **Simple electro-hydraulic connection**

 **Tilt up to 18 degrees right or left**

You're not fully utilizing your skid steer or its attachments until you have the tilt attach. Use it on hilly terrain with a trencher to cut vertical trenches on hills, or use it with buckets and landscaping tools for precise grading and leveling.

Features include heavy duty cylinders that will tilt attachments 18 degrees right or left. This attachment will fit universal mount skid steer loaders, and will accommodate universal mount attachments. A valve package is required to use this attachment in conjunction with hydraulic powered attachments.

ceattachmentsinc.

Every Attachment for EVERY Job.®

phone: 1.866.232.8224

direct line: 1.262.387.1210

fax: 1.262.387.1247

web: www.ceattach.com

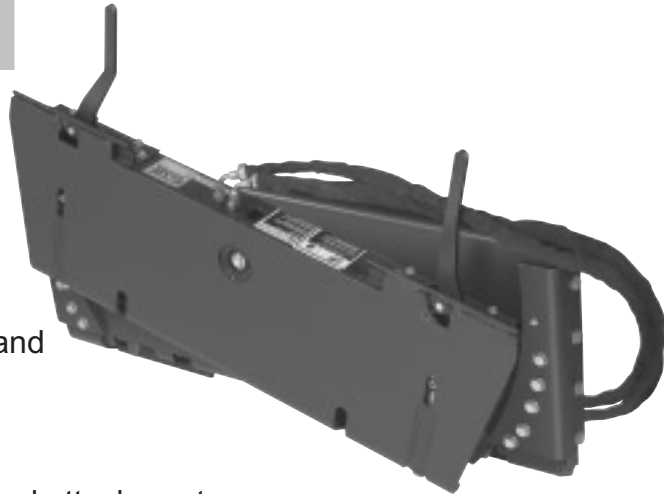
Tilt Attach

SPECIFICATIONS

FITS SKID STEER LOADERS

Features/Benefits:

- Tilt up to 18 degrees right or left
- Tilt buckets for more precise grading
- Heavy duty cylinders
- Electro-hydraulic connections keep hoses and valves out of loader's cab



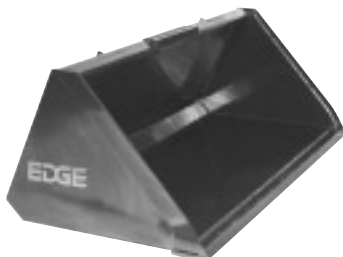
Options:

- Valve package for use with hydraulic powered attachments

Specifications:

Model	Weight	Width	Depth	Tilt Degrees	Skid Steer Capacity
TTU	333 lb (151 kg)	46.75" (1187 mm)	4.2" (107 mm)	18	Up to 1,500 lb loaders
TTUHD	460 lb (209 kg)	46.75" (1187 mm)	4.2" (107 mm)	18	Over 1,500 lb loaders

Complimentary Products



Buckets



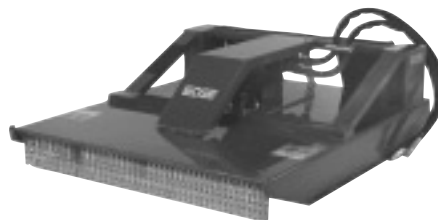
Trencher



Land Leveler



Trench Filler



Mower



Spreader

ceattachmentsinc.

Every Attachment for EVERY Job.®

Spec #590694

phone: 1.866.232.8224

direct line: 1.262.387.1210

fax: 1.262.387.1247

web: www.ceattach.com

5/04