

Dozer Blade

ATP84 and ATP96 models available for skid-steer loaders

 **BRADCO**

 **FFC**

 **HARLEY**

 **THE MAJOR**

 **McMILLEN**

 **SWEEPSTER**

PALADIN LIGHT CONSTRUCTION

FEATURES

- Available in 84" & 96"
- Hydro-electric controlled angle and tilt, using only one loader valve
- Reversible cutter bar $\frac{3}{4}$ " x 8"
- Angle 30° right or left off center
- Tilt 10° off horizontal both directions
- Tilt indicator visible from operator's seat
- Optional electric control box for units not equipped with electrical attachment controls
- 2 year limited warranty

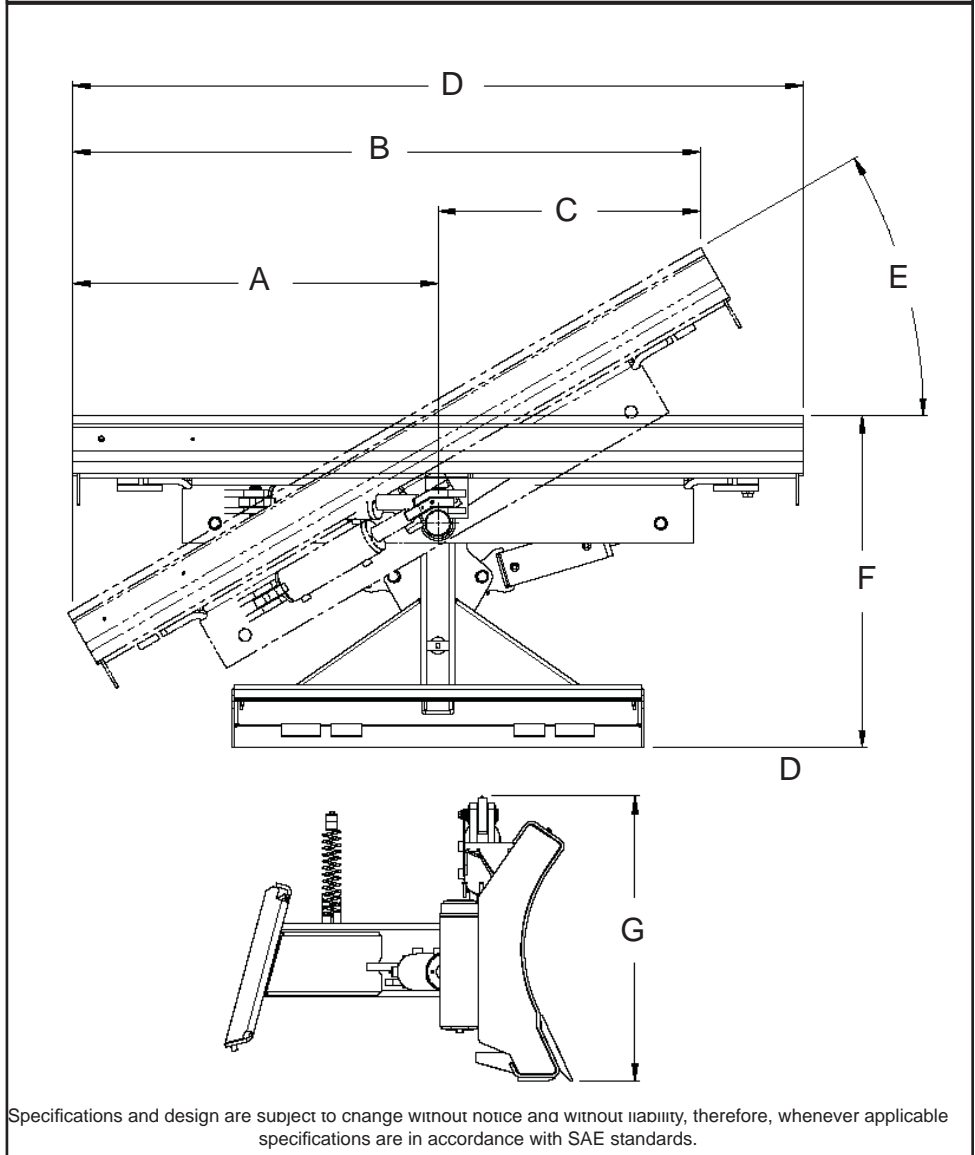


Dozer Blade

FEATURES:

- Angle and tilt cylinders are interchangeable and equipped with self aligning bushings
- Reversible ¾" x 8" bolt-on cutting edge & formed moldboard .31" thick & 28" high
- Large 3" center pivot pin with hardened steel bushings
- Full length high carbon steel, replaceable skid shoe
- Set up to default in either tilt or angle position
- Universal skid-steer loader quick attach mounting, or use on skid-steers up to 110 HP

Specifications	84"	96"
A. Width From Center Line to Inside Edge @ 15°	44"	50"
Width From Center Line to Inside Edge @ 30°	43"	48"
B. Width @ 15° angle	82"	93"
Width @ 30° angle	74"	84"
C. Width From Center Line to Outside Edge @ 15° angle	38"	44"
Width From Center Line to Outside Edge @ 30° angle	31"	37"
D. Width (overall)	85"	97"
E. Angle Left and Right	30°	30°
F. Length (overall)	37"	37"
G. Height (overall)	30"	30"



PH: 800-922-2981
 FX: (563) 922-2700
 P.O. Box 266
 Delhi, IA 52223-0266
 United States of America
 www.paladinbrands.com

