

Tree Spade

For skid-steer loaders

FEATURES:

- Available in 3 series:
15° truncated series
25° modified truncated series
30° cone model
- Standard electric control joystick to function the hydraulic valve
- Overlapping blades to clean cut roots
- Adjustable blade legs slide to control ball depth
- Wide gate opening to engage tree easily
- 2 year limited warranty



25 Series Tree Spade



30 Series Tree Spade



15 Series Tree Spade



2625



3215



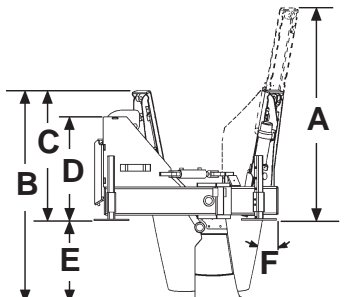
2030



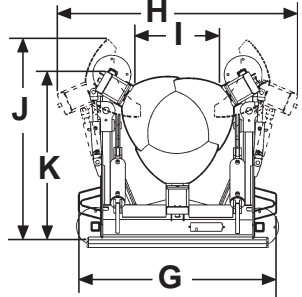
4425

15 Series Tree Spades

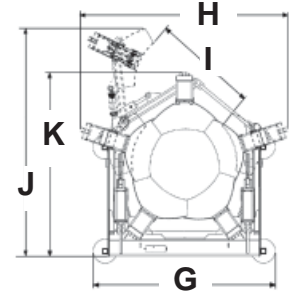
Specifications	2415	3215	4415
A. Height (overall) - blades up (open)	52.0"	60.0"	72.0"
B. Height (overall) - blades down (closed)	51.75"	61.0"	76.25"
C. Height (shipping) - blades removed	33.0"	37.0"	44.38"
D. Frame Height	29.5"	29.5"	29.5"
E. Digging Depth	20.0"	24.0"	32.0"
F. Cutting Angle	15°	15°	15°
G. Overall Transport Width (gate closed)	52.0"	68.0"	76.25"
H. Width (overall) (gate open)	6.0"	81.0"	87.0"
I. Maximum Gate Opening	21.5"	41.0"	44.0"
J. Overall Length (gate open)	52.0"	61.5"	94.25"
K. Overall Transport Length (gate closed)	47.5"	51.5"	76.0"
Number of Blades	3	4	5
Blade Sizes (ball diameter)	16", 18", 20", 24"	20", 24", 28", 32"	32", 36", 40", 44"
Tree Diameter (trunk caliper)	1.5" - 2.5"	2" - 3.5"	3" - 4.5"
Ball Weight (lbs)	200# - 400#	300# - 900#	1000# - 2000#
Flow Requirements (GPM)	10	10	10
Minimum Operating Pressure (PSI)	2250	2250	2250
Weight (lbs) (with blades)	1200#	1600#	3000#
Rear Stabilizers Required (specify loader model)			



MODEL 2415



MODEL 3215



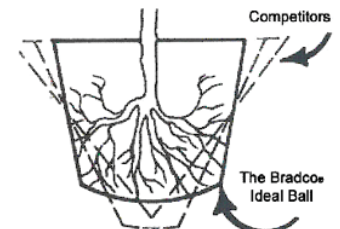
MODEL 4415

Specifications and design are subject to change without notice and without liability, therefore, whenever applicable specifications are in accordance with SAE standards.

Bradco's 24" 32" and 44", 15 Series Tree Spades provide a unique, optimized root ball to retain more of the root system. The exclusive dished undercutter cuts all roots & supports the ball in looser soil.

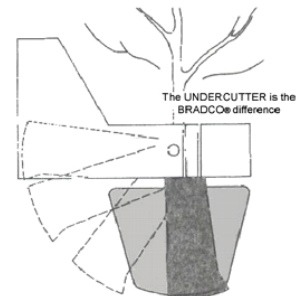
Bradco's 15° truncated models feature flat bottom, high tensile, abrasion resistant overlapping blades, & provide a sharp clean cut at a direct angle, without tearing or stretching the root system. These easy changing blades better approximate a true round shape and multiple cylinders exert a more precise force around the ball.

Features include the same great "CLEGG" design with updated manufactured structures and hydraulics.



15° SPADE ANGLE
+ PATENTED BRADCO® UNDERCUTTER
= THE BRADCO® DIFFERENCE

BRADCO®
SPADE BALLER



PH: 800-922-2981
 FX: (563) 922-2700
 P.O. Box 266
 Delhi, IA 52223-0266
 United States of America
 www.paladinbrands.com